

PLATFORM LIFT



PICKERINGS LIFTS
ACCESS PRODUCTS

Product Details

POWER AND DRIVE

POWER AND SUPPLY

Soft Start: 400v 3 Phase 50Hz

DRIVE UNIT

Self sustaining screw and nut drive.

CONTROLS

PLATFORM

Continuous pressure, large tactile illuminated destination buttons on platform.

Alarm button and emergency stop button on control panel.

Alarm sounder in lift shaft.

Safety edge protection on control panel.

LANDINGS

Large tactile illuminated one touch buttons at each entrance.

SAFETY SYSTEMS

Overload indicator.

Non slip flooring.

Emergency lowering device.

Emergency battery backup light on control panel.

APPEARANCE

STRUCTURE/ENCLOSURE

Non fire-rated steel cladding, incorporating sound absorption material.

Powder coated white RAL9003 [other RAL colours or glass available].

PLATFORM DESIGN & FINISHES

Slip resistant flooring with safety edge around platform perimeter.

Powder coated grey RAL7042.

Aluminium handrail on console.

OPTIONS

ADDITIONAL OPTIONS

One-hour fire resistant doors with vision panel.

Variety of telephone systems.

Audible floor level indicator.

LED light in shaft ceiling.

Automatic light in shaft ceiling.

Emergency battery backup lighting in shaft ceiling.

Automatic doors.

School locking system [key required].

Key operated controls.

Shaft ceiling.

Radio/Infrared handheld transmitter control.

Arrival bell.

Range of RAL colour options.

Auto return to lowest floor upon

activation of fire alarm.

230v 1 phase 50Hz.

Position indicator on platform and landings.

- COMPACT SELF CONTAINED STRUCTURE
- MINIMAL BUILDER'S WORK REQUIRED
- CERTIFIED TO EUROPEAN MACHINERY DIRECTIVE 2006/42/EC
- INSULATED STEEL OR GLASS ENCLOSURE AVAILABLE
- FRAMED GLAZED DOORS AS STANDARD
- EMERGENCY LOWERING DEVICE (BATTERY DRIVEN)
- SOFT START AS STANDARD
- WIDE RANGE OF OPTIONS AVAILABLE

**VERTICAL RISE
PLATFORM LIFT**



*The lift business **everyone** wants to work with*

SPECIFICATIONS

RATED LOAD : 410 (standard)

MAX TRAVEL : 9m

SPEED : 0.15m/s

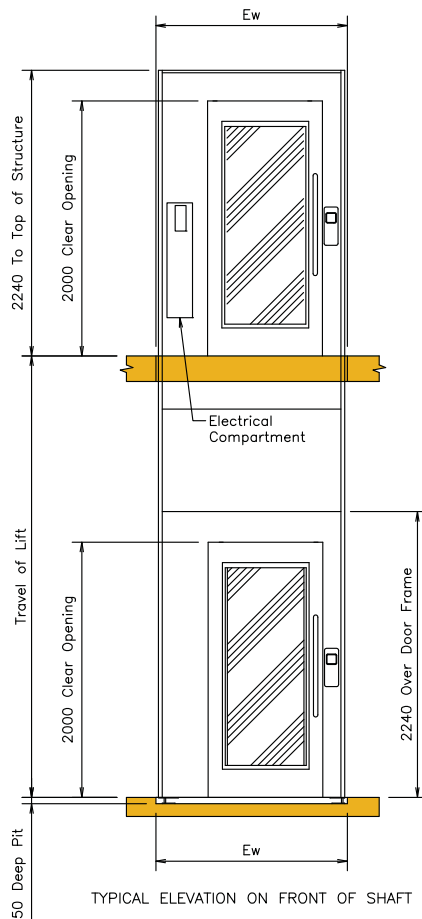
MAX LIFT STARTS : 20 per hour

PIT DEPTH : 50mm

MIN. HEADROOM REQUIRED : 2300mm (with 50mm pit)

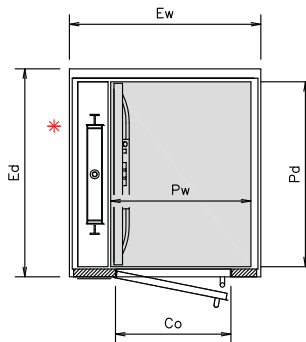
PLATFORM SIZE OPTIONS (mm) (WxD)	900 x 1280	1000 x 1480	1100 x 1480	1100 x 1580
ENVELOPE SIZE OPTIONS (mm) (WxD)	1305 x 1430	1405 x 1630	1505 x 1630	1505 x 1730
DOOR SIZES (mm) (WxH)	800 x 2000	900 x 2000	900 x 2000	900 x 2000

Please Note: Alternative platform sizes are available.

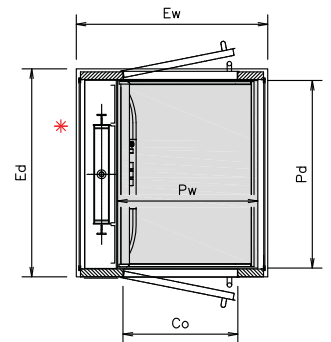


TYPICAL ELEVATION ON FRONT OF SHAFT

LIFT CONFIGURATIONS AVAILABLE

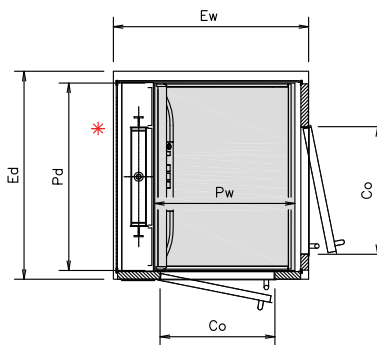


OPEN FRONT LIFT

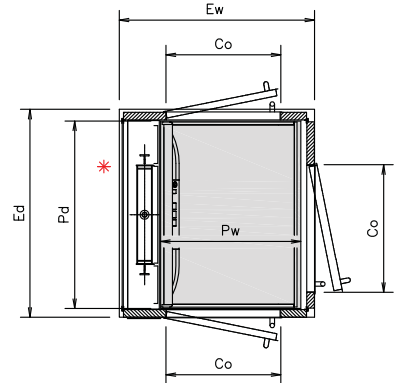


OPEN THROUGH LIFT

Note - Hand of doors can be opposite on any of the illustrations shown to match the customers requirements.



OPEN ADJACENT LIFT



OPEN THREE SIDES

* LIFT MUST BE TIED BACK TO BUILDING ON GEAR SIDE OF LIFT SHAFT

Under our policy of continuing research and development, Pickerings Lifts reserve the right to alter the dimensions or specifications of any equipment illustrated or described in this brochure without prior notice. The details contained in this brochure do not constitute an offer. Every effort has been made to achieve accurate representation of colours and finishes in this brochure, however due to printing limitations exact matches cannot be guaranteed.

