



PICKERING'S LIFTS  
LOADING SYSTEMS



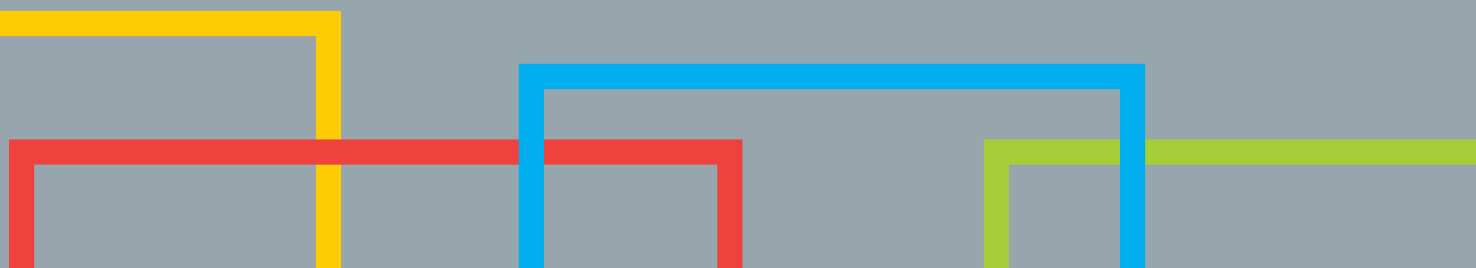
# DYNACO S-631 RIGID

**DiscDrive**  
Disc driven technology



inside & outside door

[www.dynacodoor.com](http://www.dynacodoor.com)



# DYNACO S-631 RIGID

The Dynaco S-631 Rigid is designed for medium sized inside and outside applications requiring extra security. The side posts are designed to resist windloads and protect against intruders.

The unique DiscDrive technology enables quick replacement of the impacted lamellas after collision, minimizing downtime.

The Dynaco S-631 Rigid provides environment control and savings on energy costs. Its operating speed improves your traffic flow.

- **DISCDRIVE TECHNOLOGY:**  
Unique door drive system with increased longevity. Door remains operational even when a lamella has been removed after impact.
- **EASY LAMELLA REPLACEMENT:**  
Lamellas can be individually replaced in a few minutes. No expensive repairs, minimal downtime.
- **FLEXIBLE ALUMINIUM LAMELLAS:**  
The flexibility of the aluminium lamellas can absorb light impact.
- **HIGH SPEED OPERATION:**  
Up to 2,5 m/s depending on the size.  
Closing speed 0,6 m/s.
- **USER SAFETY:**  
Light curtain integrated in the side columns.
- **COMFORT OF USE:**  
Wireless Dynaco detector at the bottom.
- **ADVANCED DRIVE:**  
Frequency driven motor and absolute encoder for smooth operation.
- **WEARING ELEMENTS:**  
Wearing elements and moving parts are reduced to a minimum.
- **DYNALOGIC CONTROL BOX:**  
User-friendly control box with self-diagnosis.
- **CONFORM TO EN13241-1**

Safe



Easy maintenance





### EN13241-1 STANDARDS

Standard	Ref.	Test acc.	Results
<b>Water permeability</b>	EN 12425	EN 12489	Class 1
<b>Wind load</b>	EN 12424	EN 12444	Class 4*
<b>Wind permeability</b>	EN 12426	EN 12427	Class 2
<b>Safe openings</b>	EN 12453	EN 12445	Pass
<b>Mechanical resistance</b>	EN 12604	EN 12605	Pass
<b>Unintended movements</b>	EN 12604	EN 12605	Pass

\* The indicated class for wind resistance applies for doors up to W 3.500mm. Above 3.500mm : Class 3

### CHARACTERISTICS

<b>Min. dimensions</b>	W 1.000 mm x H 2.625 mm**
<b>Max. dimensions</b>	W 5.000 mm x H 5.000 mm**
<b>Opening speed</b> <b>Closing speed</b>	up to 2,5 m/s 0,6 m/s
<b>Structure</b>	Galvanised steel. Spring covers in galvanised steel standard.
<b>Door blade</b>	Double wall aluminium lamella, aluminum colour. Optional window lamellas.
<b>Motor</b>	4 poles, with parking brake - power: 1,1 kW.
<b>Control box</b>	DYNALOGIC provided with: circuit breaker, general divider, adjustable timer, push button for opening and reset and frequency inverter.
<b>Safety device</b>	Standard light curtain integrated in the side frame. Active height=2500mm.
<b>Bottom edge detector</b>	Wireless DYNACO detector (WDD).
<b>Power supply</b> <b>Frequency</b>	Single phase 230V - 18 A Frequency: 50-60 Hz
<b>Thermal insulation coefficient</b>	4 W/m <sup>2</sup> K per lamella

\*\* Dimensions change in height by steps of 125mm (lamella height) and in width by steps of 10mm.

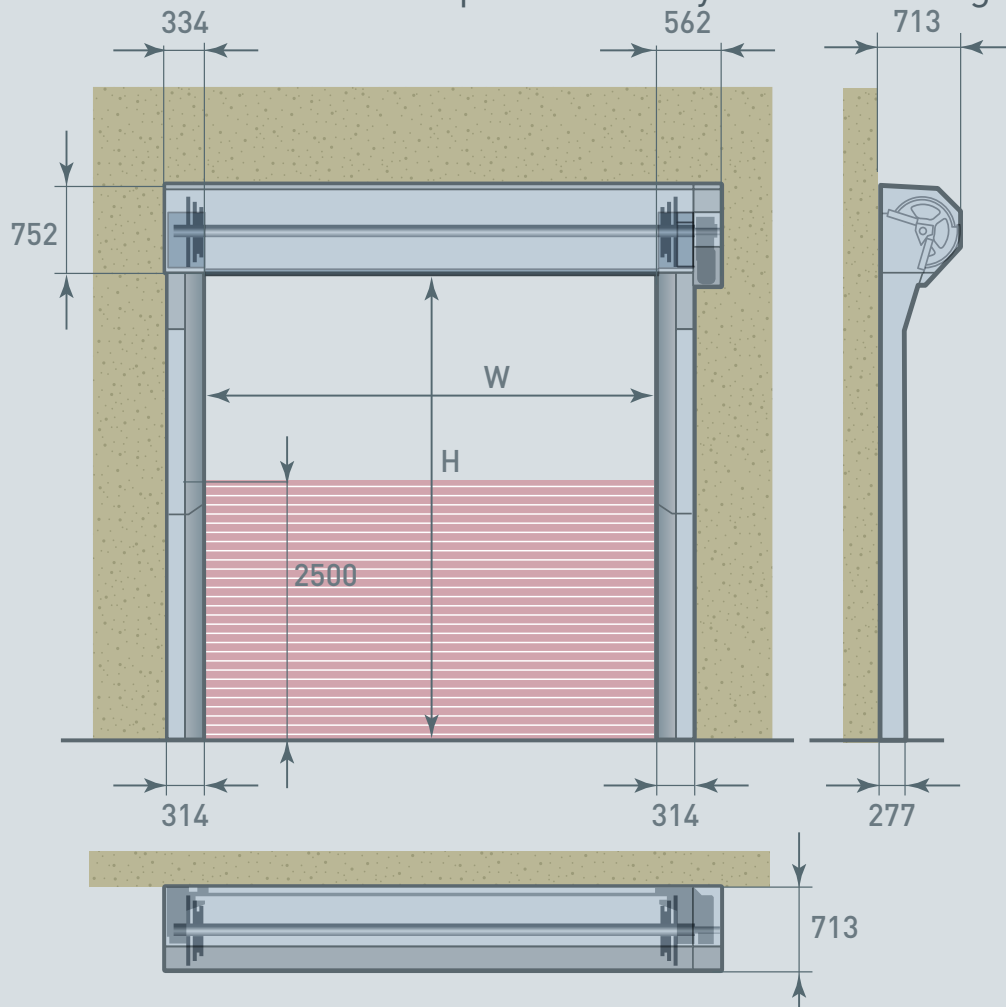
### Burglar proof



### DiscDrive view



## Dimensions and installation requirements Dynaco S-631 Rigid



All indicated dimensions are net: the space necessary for mounting and maintenance has to be provided.

REMARK: Based on the risk analysis of the environment, extra push buttons, detectors and covers might be required.



**PICKERING'S LIFTS**  
LOADING SYSTEMS

**Jack Morris**

New Product Sales Manager

07976 057141

jack.morris@pickeringlifts.co.uk

[www.pickeringlifts.co.uk](http://www.pickeringlifts.co.uk)

Globe Elevator Works, PO Box 19, Stockton-on-Tees TS20 2AD  
0800 0853211